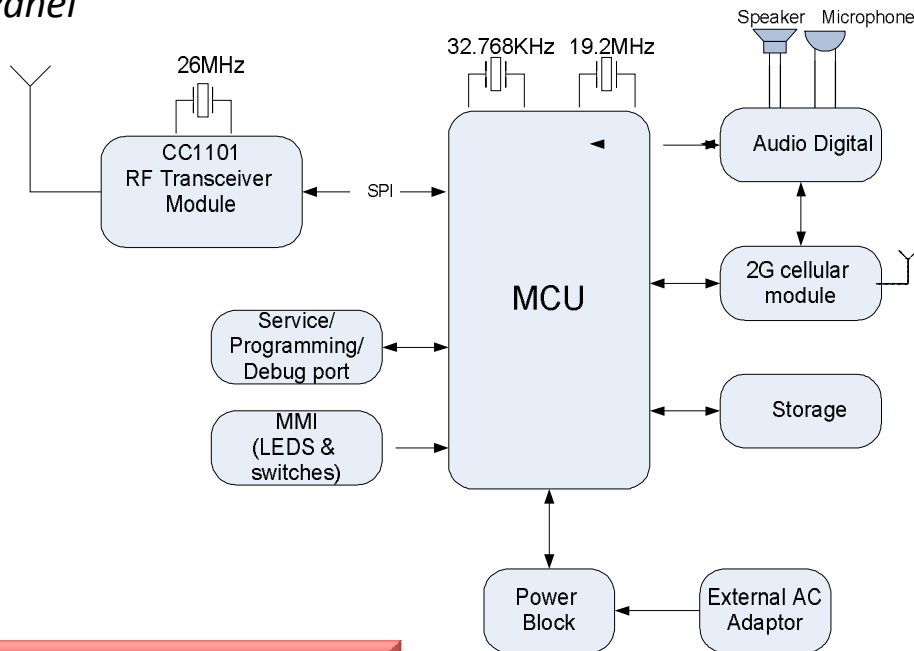




VeriSure Fast-II

ES6500VSF

Control Panel



Block Diagram Description

Panel power is supplied by an external AC to DC adaptor. The input range is 100~240 VAC, 50/60 Hz

Backup power to the Control Panel is provided by a Lithium Polymer, ES700BAT_VF battery (provided).

The Control panel have 11 LEDs

The Control Panel communicates with the Central Monitoring Station via a GSM or GPRS connection.

Up to 700 meters (2296 Ft.) is the RF range (open air)

Modulation and Frequency: BFSK , 868.3 for Europe MHz or 916.5MHz for USA